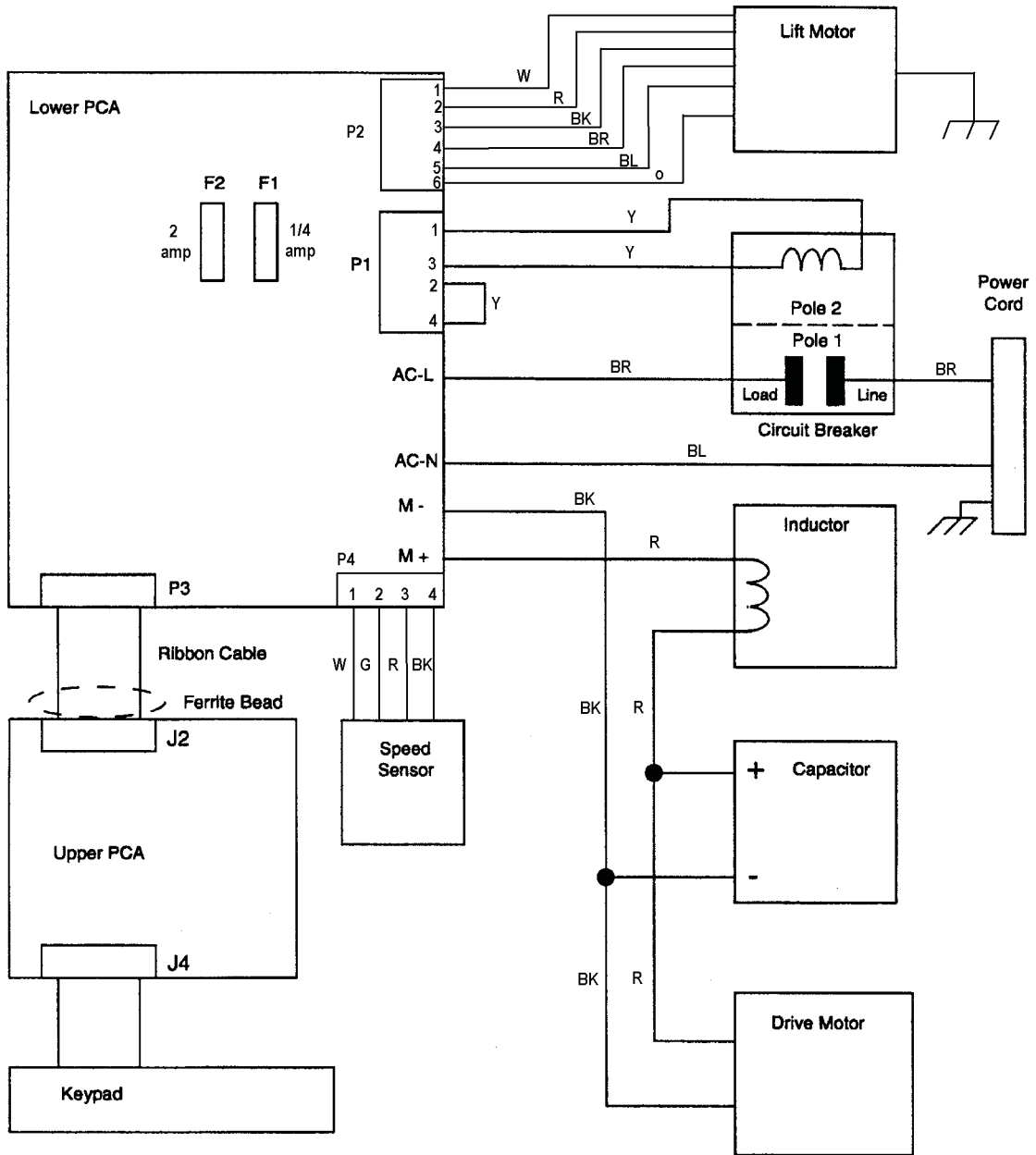


Section Seven — Wiring Diagrams and Block Diagrams

Wiring Diagram 7.1 — C942 7-2

Block Diagram 7.2 — C942 7-3

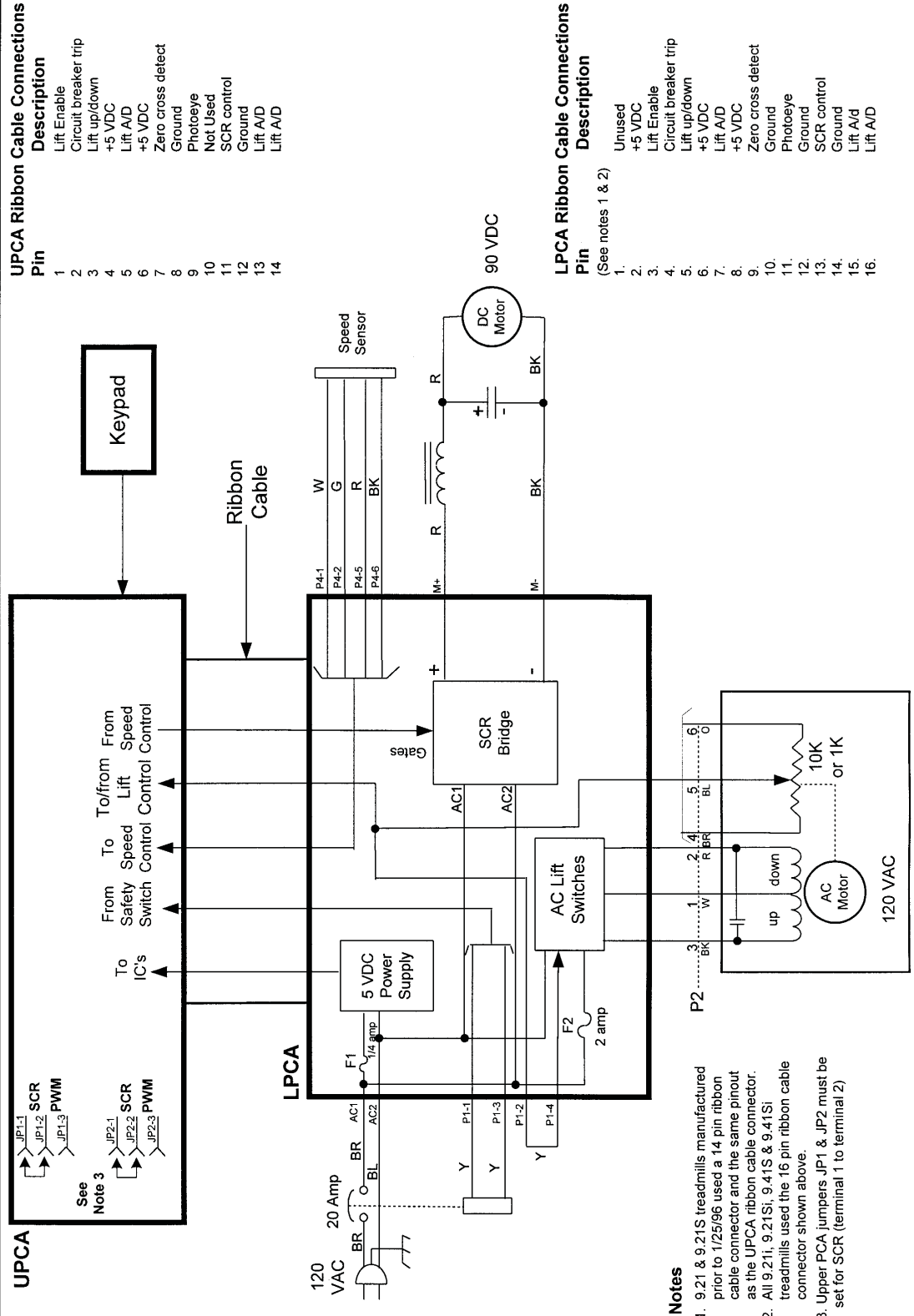
Wiring Diagram 7.1 — C942



Block Diagram 7.2 — C942



9.21, 9.21i, 9.21S, 9.21Si, 9.41S, 9.41Si, 9.41Si, C942 Treadmill



UPCA Ribbon Cable Connections

Pin	Description
1	Lift Enable
2	Circuit breaker trip
3	Lift up/down
4	+5 VDC
5	Lift A/D
6	+5 VDC
7	Zero cross detect
8	Ground
9	Photoeye
10	Not Used
11	SCR control
12	Ground
13	Lift A/D
14	Lift A/D

LPCA Ribbon Cable Connections

Pin	Description
1	Unused
2	+5 VDC
3	Lift Enable
4	Circuit breaker trip
5	Lift up/down
6	+5 VDC
7	Lift A/D
8	+5 VDC
9	Zero cross detect
10	Ground
11	Photoeye
12	Ground
13	SCR control
14	Ground
15	Lift A/d
16	Lift A/D

- Notes**
- 9.21 & 9.21S treadmills manufactured prior to 1/25/96 used a 14 pin ribbon cable connector and the same pinout as the UPCA ribbon cable connector.
 - All 9.21i, 9.21Si, 9.41S & 9.41Si treadmills used the 16 pin ribbon cable connector shown above.
 - Upper PCA jumpers JP1 & JP2 must be set for SCR (terminal 1 to terminal 2)